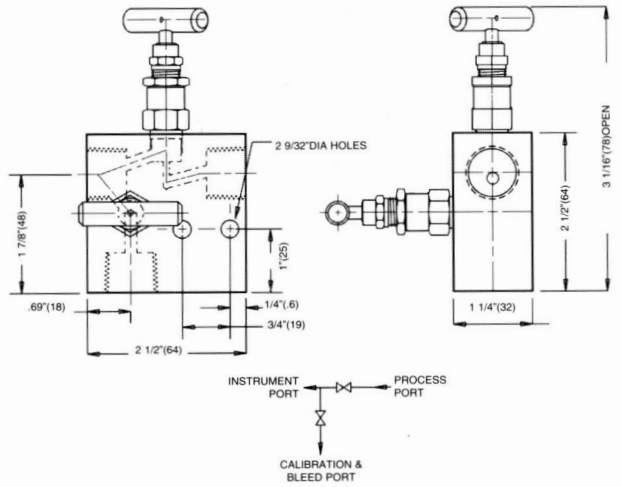


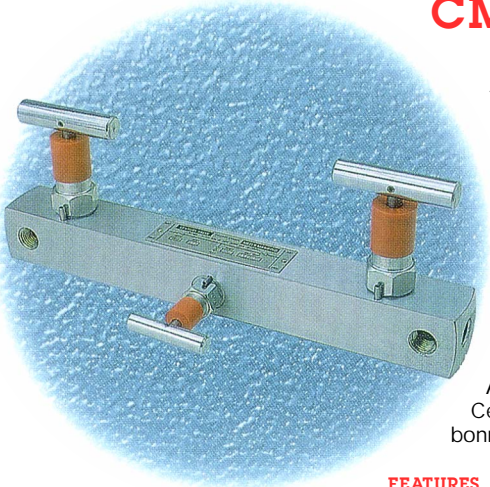
CM12 TWO VALVE CALIBRATION MANIFOLD

The CM12 two valve calibration manifold provides an economical and convenient method of blocking, bleeding and calibrating pressure from transmitters. This valve may be mounted rigidly to a mounting bracket providing a safe isolation valve, while reducing the number of fittings and space required for installation. Available with the exclusive Century non-rotating stem bonnet assembly.



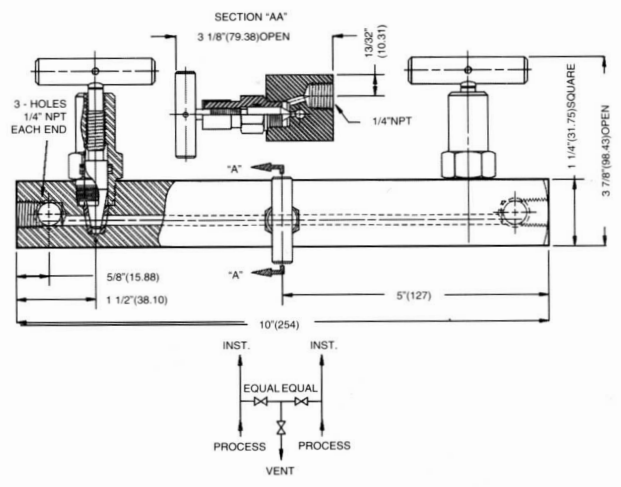
FEATURES

- Pressure to 6000 psi/41370 KPa
- 3/16" Bore
- Option soft seat inserts
- Hard or soft seated models available
- Bonnets Available: Block and Vent/Calibrate Valves either - D, DN or M
- Inlet/Outlet Connection Available - F44T



CM19 THREE VALVE METERED MANIFOLD

The CM19 Three valve meter manifold is designed for convenient isolation, venting and on-line calibration for local chart and recording meters. Durable bar stock body construction, with integrated equalizing and vent valves, is ideally suited for mounting beneath field meter cases. Available with the exclusive Century non-rotating stem bonnet assembly.



FEATURES

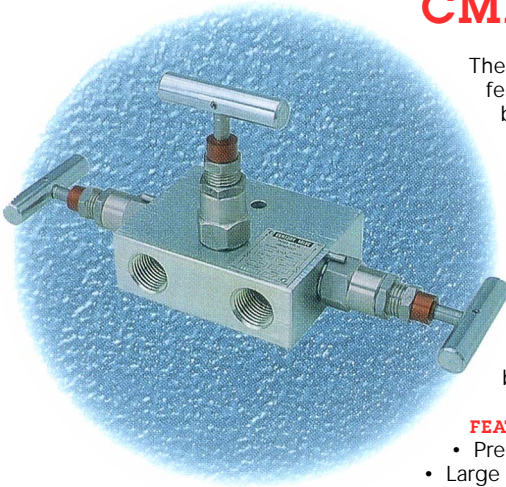
- Pressures to 600 psi/41370 KPa
- Replaceable Arlon seats are field serviceable
- Multi-ported pressure taps allow static pressure measurements to be taken upstream or down stream.
- Bonnets Available - Equalize Valves - C, CN OR L; Vent Valves - D, DN or M
- Inlet/Outlet Connections Available: F22T

ORDER INFORMATION

CM5 - 1		F44T		LM		15		T		SCL	
MODEL TYPE	STANDARD MATERIALS	CONNECTION INLET / OUTLET		BONNET ASSEMBLY TYPE		SEAT MATERIAL	STEM TEMPERATURE RANGE		SPECIAL CONSTRUCTION		
CM MODEL#		SEE SPECIFIC MANIFOLD FOR AVAILABLE INLET/OUTLET CONNECTIONS		SEE SPECIFIC MANIFOLD FOR AVAILABLE BONNET TYPES		SEE SPECIFIC MANIFOLD FOR AVAILABLE SEAT TYPES	A - AFLAS® 23°F TO 400°F -5°F TO 204°C		SC-O = OXYGEN CLEANED		
CHOOSE MANIFOLD MODEL NUMBER FROM CATALOGUE TO SUIT REQUIREMENT.		F22T - 1/4" FNPT X 1/4" FNPT F44T - 1/2" FNPT X 1/2" FNPT		TYPES: A - ROTATING NEEDLE STEM/"O" RING B - ROTATING BALL STEM/"O" RING C - ROTATING BALL STEM/PACKING D - ROTATING NEEDLE STEM/PACKING E - ROTATING BALL STEM/PACKING F - ROTATING NEEDLE STEM/PACKING L - NON-ROTATING NEEDLE STEM/PACKING M - NON-ROTATING NEEDLE STEM/PACKING		15-ARLON® 1000 16-DELRIN®	G - GRAFOIL™ -40°F TO 1000°F -40°C TO 538°C T - TEFLON® -300°F TO 400°F -184°C TO 204°C V - VITON® -20°F TO 400°F -29°C TO 204°C		SC-L = LOCKED PLATES		
ADDITIONAL SPECIAL CONNECTIONS ARE AVAILABLE ON REQUEST		ALL INLET CONNECTIONS ARE AT 2.125 CTRS		SOFT SEATED MANIFOLDS MUST INCORPORATED NEEDLE STEM BONNETS		DELRIN®, VITRON®, TEFLON®, COPYRIGHT T.M. DUPONT CO. AFLAS®, COPYRIGHT OF ASAHI GLASS CO. LTD. ARLON® COPYRIGHT GREENE, TWEED & CO. GRAFOIL™, PRODUCT OF UNION CARBIDE CORP.					
CODE	BODY	BONNET	ADJUSTER	STEM	HANDLE						
1	316SS	316SS	303SS	316SS	303SS						
2	A105	316SS	303SS	316SS	303SS						
3	A108	A108	A108	303SS	A108						
CODES 1 & 2 MEET NACE MR01-2002. ADDITIONAL CONSTRUCTION MATERIALS ARE AVAILABLE ON REQUEST.											

PIPE TO PIPE MANIFOLD SERIES

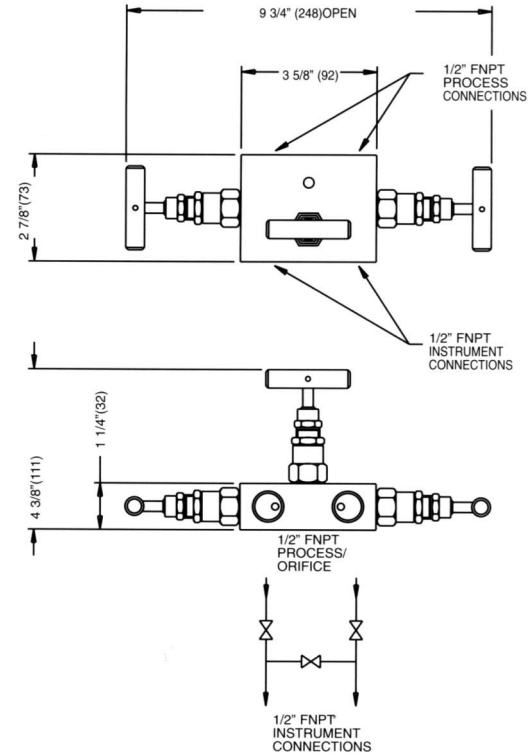
CMR3 THREE VALVE MANIFOLD



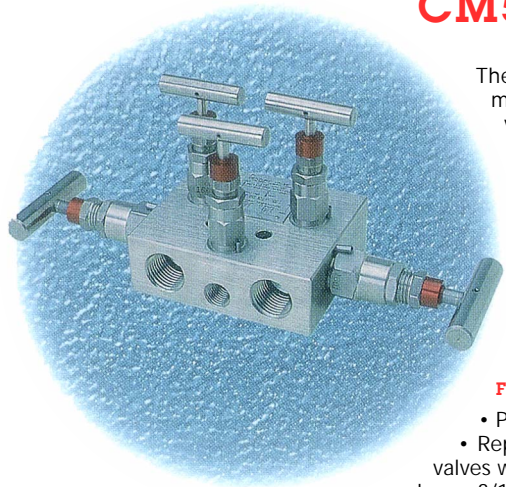
The CM3R three valve manifold features over-sized type "C" bonnets to provide maximum durability. Two block valves and one equalizing valve are provided in a single body, making the manifold ideal for on-line instrument calibration. Integral valve construction eliminates the use of numerous valves, nipples and fittings. Available with the exclusive Century non-rotating stem bonnet assembly.

FEATURES

- Pressures to 6000 psi/41370 KPa
- Large 3/16" diameter equalizing ports for viscous fluid service applications
- Hard or soft seated models available
- Bonnets Available: Block and Equalize Valves either- A,C,CN or L
- Inlet/Outlet Connection Available - F44T



CM5 FIVE VALVE METERING MANIFOLD



The CM5 five valve metering manifold consists of two shut-off valves, two equalizing valves and a single vent valve. This unit takes the place of the conventional piped up 5 valve manifold generally found on field meters or gas service differential transmitters. Available with the exclusive Century non-rotating stem bonnet assembly.

FEATURES

- Pressures to 6000 psi/41370 KPa
- Replaceable Arlon soft seats with rodding out capability on block valves with "CN" bonnets
- Large 3/16" Bore
- Hard or soft seated models available
- Bonnets Available: C & D, CDN, L&M Note: Block Valves either: C, CN or L
- Equalize and Vent Valves either: D, DN or M
- Eliminates metering error due to leakage across high/low pressure connections
- Inlet/Outlet Connections Available - F44T

