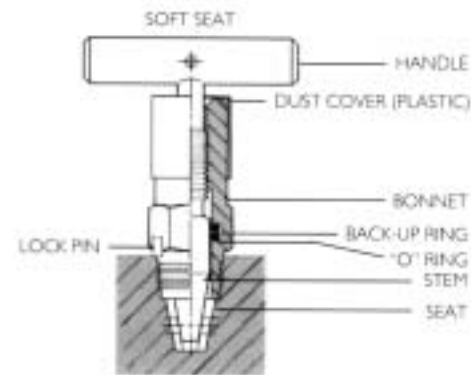


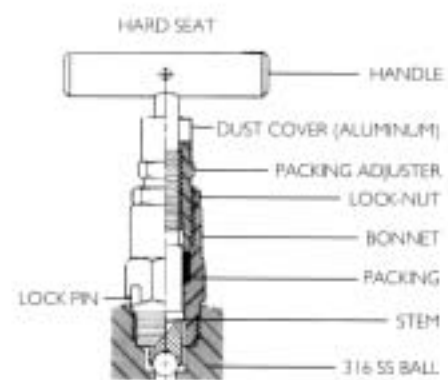
Century Valve's exclusive gauge valve line utilizes several different bonnet styles to increase operational flexibility and process compatibility. In addition to traditional rotating stem configuration, Century Valve offers the exclusive patented "non-rotating stem" bonnet assemblies on most gauge valve models. The patented non-rotating stems share these outstanding features:

- Greatly improved packing life
- Eliminates seat tearing or galling
- Maximum sealing integrity with minimum operating torque
- Actuating threads completely isolate threads, ensuring no possibility of thread contamination
- Self-aligning non-rotating plug for roddable valves

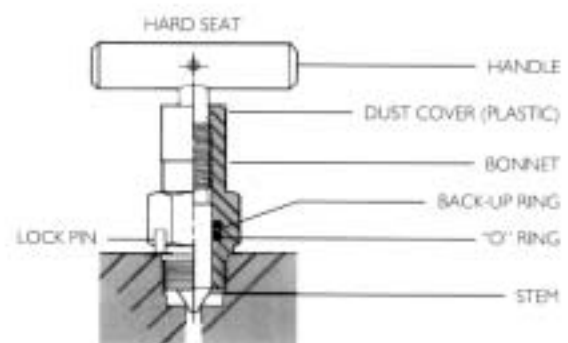
**TYPE 'A' BONNET ASSEMBLY**  
(interchangeable with "C" bonnet)



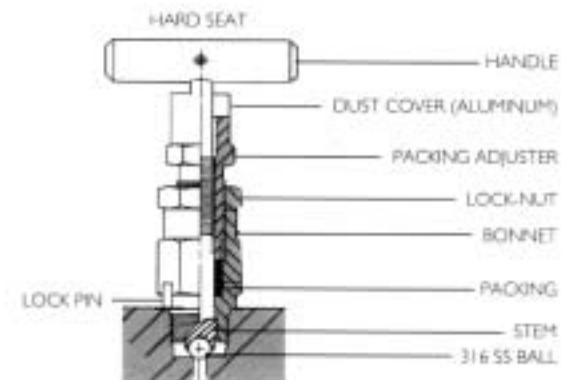
**TYPE 'C' BONNET ASSEMBLY**  
optional needle stem available ("CN")  
(interchangeable with "A" bonnet)



**TYPE 'B' BONNET ASSEMBLY**  
(interchangeable with "D" bonnet)



**TYPE 'D' BONNET ASSEMBLY**  
optional needle stem available ("DN")  
(interchangeable with "B" bonnet)



STEM SEAL MATERIAL & TEMPERATURE RANGE	NEEDLE TIPPED STEM	BALL TIPPED STEM	NON-ROTATING STEM, NEEDLE
A - AFLAS® -23°F (-5°C) TO +400°F (204°C)			
G - GRAFOIL® -40°F (-40°C) TO +1000°F (538°C)			
T - TEFLON® -300°F (-184°C) TO +400°F (204°C)			
V - VITON® -20°F (-29°C) TO +400°F (204°C)			

Servicing  
Canada,  
the United  
States,  
the Middle  
East,  
China,  
Europe,  
Russia,  
and the  
North Sea

PRACTICED  
DESIGN ...  
PROVEN  
PERFORMANCE



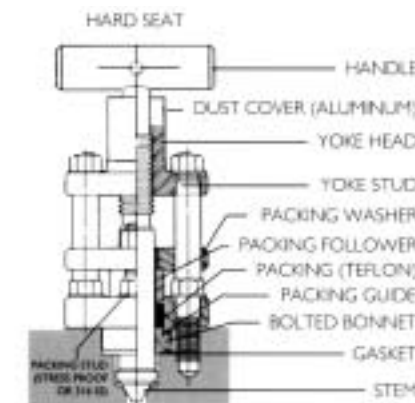
CENTURY VALVE OFFERS A COMPLETE LINE OF INSTRUMENTATION VALVES AND CM BRAND™ THERMOWELLS MANUFACTURED IN CANADA. CENTURY'S NEEDLE, GAUGE AND MANIFOLD VALVES ARE KNOWN WORLDWIDE FOR PERFORMANCE AND RELIABILITY.



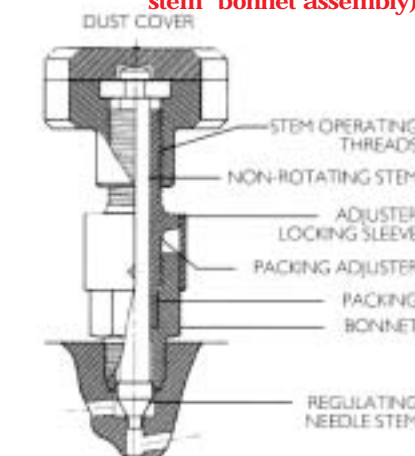
# GAUGE VALVES



**TYPE 'E' BONNET ASSEMBLY**

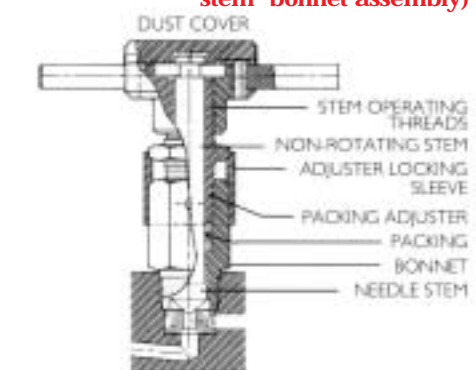


**TYPE 'M' BONNET ASSEMBLY**  
(exclusive Century "non-rotating stem" bonnet assembly)



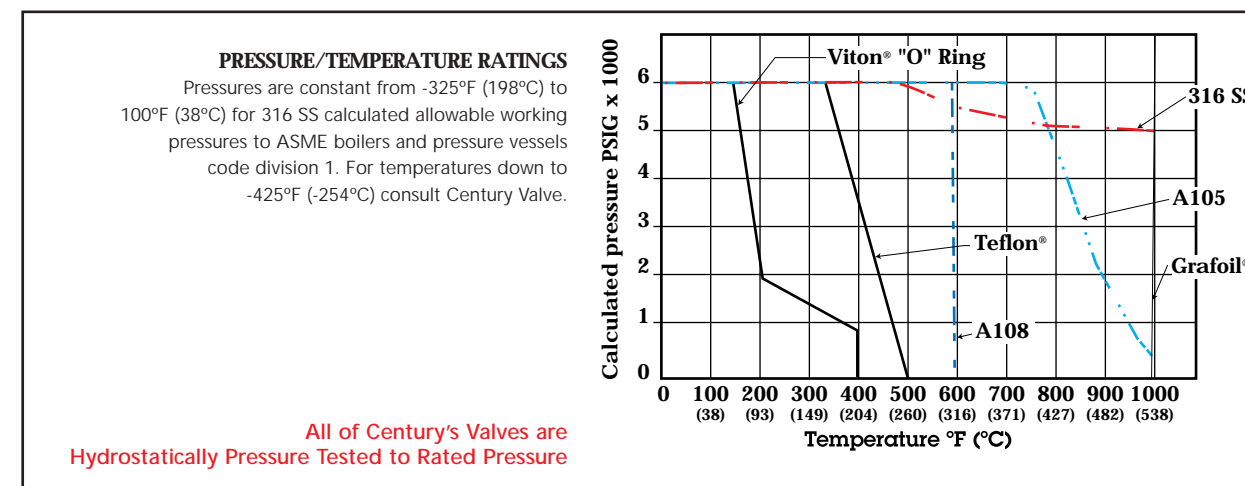
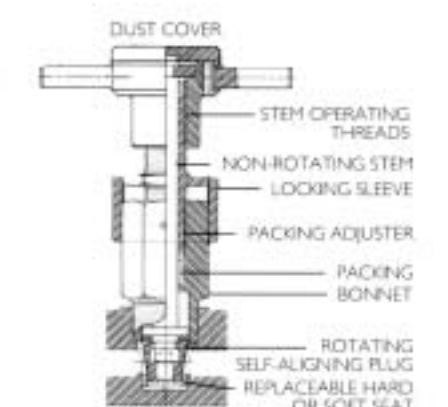
**TYPE 'L' BONNET ASSEMBLY**

(exclusive Century "non-rotating stem" bonnet assembly)



**TYPE 'P' BONNET ASSEMBLY**

(exclusive Century "non-rotating stem" bonnet assembly)



1915 - 30th Avenue N.E.,  
Calgary, Alberta, Canada T2E 6Z5  
TEL: (403) 250-9742  
FAX: (403) 250-8624

**All Century's gauge valves share these outstanding features to ensure our customer safety, satisfaction and valve reliability:**

- One piece solid barstock construction.
- Back seating stems, which in a fully opened position, prevent stem backout.
- Permanent locking of the bonnet to prevent accidental removal when operating valve.

- Stem seals, in both the exclusive Century "non-rotating stem" bonnet assemblies and the traditional rotating configuration, have been positioned below the threads, resulting in threads free from contaminants and ensuring trouble free operation.

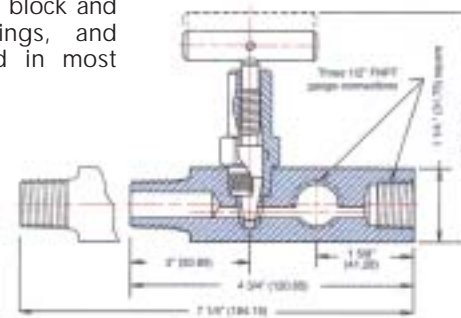
**GAUGE VALVES**



**CM6 SOFT SEATED GAUGE VALVE**

The CM6 soft seated multi-port gauge valve allows multiple choice of gauge orientation. The block and bleed option replaces nipples, fittings, and conventional valves normally required in most instrumental installations.

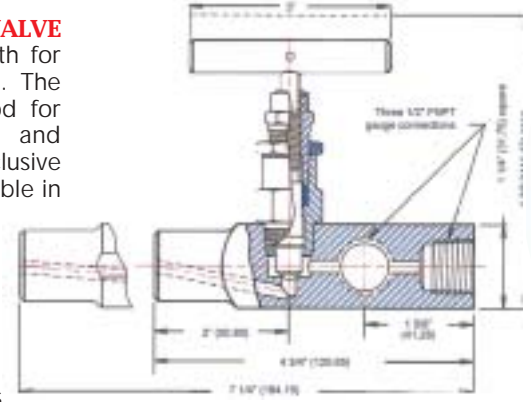
- FEATURES:**
- Extended inlet available to ensure insulation clearance - add "L" to order code
  - Pressures to 6000 psi \ 41370 Kpa
  - Replaceable roddable soft seat
  - Bonnets Available: A or CN
  - Inlet/Outlet Connections Available: M44T, M64T, M44S, M64S



**CM11 MULTI-PORT GAUGE VALVE**

The CM11 Gauge Valve provides the strength for direct instrument mounting in any position. The extra connections provide an easy method for obtaining process samples, checking and calibrating. Available with Century's exclusive non-rotating stem bonnet assembly. Available in a 10,000 psi/69860 Kpa rated model.

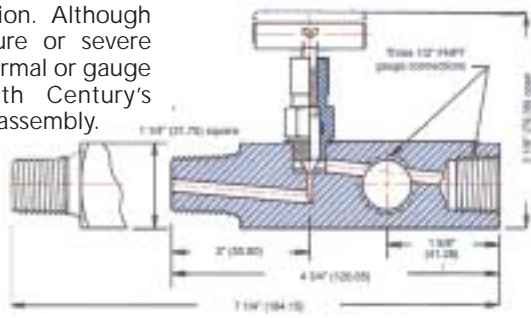
- FEATURES:**
- Extended inlet available for insulation clearance - add "L" to order code
  - Pressures to 6,000 psi \ 41370 Kpa.
  - Bonnets Available: A, C, CN or L
  - Inlet/Outlet Connections Available: M44T, M64T, M44S, M64S



**CM7 HARD SEATED MULTI-PORT GAUGE VALVE**

The CM7 Gauge Valve provides an economical general purpose gauge valve solution. Although not recommended for high pressure or severe service, the CM7 is well suited for normal or gauge valve applications. Available with Century's exclusive non-rotating stem bonnet assembly.

- FEATURES:**
- Extended inlet available for insulation clearance - add "L" to order code
  - Pressures to 6000 psi \ 41370 Kpa
  - Bonnets Available: B, D, DN or M
  - Inlet/Outlet Connections Available: M44T, M64T, M44S, M64S



**STANDARD ACCESSORY**

**CM17 GAUGE SIPHON**

The CM17 gauge siphon performs multiple functions. As a condensate trap, it creates a thermal barrier between hot processes gases and the pressure gauge or instrument. Filled with glycol or other seal fluid, the CM17 prevents gauge freeze-up on wet air lines. Substituting kerosene for glycol provides a seal for corrosive service. In all applications, the gauge siphon provides a more secure and rigid gauge mount than that provided by the outdated "pigtail" type siphon.



- FEATURES:**
- Pressures to 6000 psi \ 41370 Kpa • Connections Available: M44T, M64T
  - Available in stainless steel or carbon steel

**ORDER INFORMATION**

<b>MODEL TYPE</b> CM MODEL#	<b>1</b> <b>M64T</b>				
	<b>CODE</b>	<b>BODY</b>	<b>BONNET</b>	<b>ADJUSTER</b>	<b>STEM</b>
	1	316SS	316SS	316SS	316SS
<b>CONNECTION INLET / OUTLET</b>	<b>P</b>				
	<b>CODE</b>	<b>BODY</b>	<b>BONNET</b>	<b>ADJUSTER</b>	<b>STEM</b>
	2	A10S	316SS	303SS	316SS
<b>BONNET ASSEMBLY TYPE</b>	<b>G</b>				
	<b>CODE</b>	<b>BODY</b>	<b>BONNET</b>	<b>ADJUSTER</b>	<b>STEM</b>
	3	A10S	A10S	A10S	A10S

**GAUGE/ROOT**



**CM9 GAUGE VALVE OS&Y CONSTRUCTION**

The CM9 gauge valve is designed to function as a primary block valve. The OS&Y bonnet design is suitable for high temperature applications and multiple outlet connections for flexibility of installation. This valve has a 5/16" orifice for high C.V. capability. It is ideally suited for severe service applications.

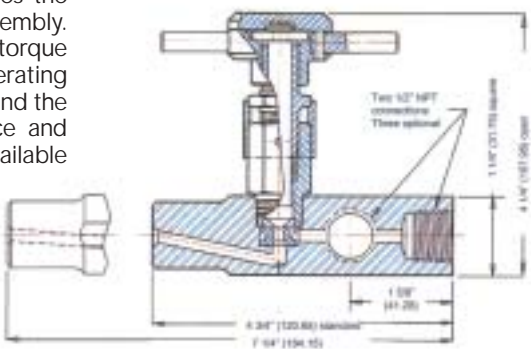
- FEATURES:**
- Extended inlet available for insulation clearance - add "L" to order code
  - Pressures to 6000 psi \ 41370 Kpa
  - Extreme service design
  - Valves with stellite inserts available on request
  - Inlet is schedule 160 or heavier
  - Bonnets Available: E only
  - Inlet/Outlet Connections Available: M44T, M64T, M44S, M64S, M84T, M84S



**CM11RS GAUGE/ROOT VALVE**

The CM11RS multi-port gauge/root valve features the exclusive Century non-rotating stem bonnet assembly. This feature provides the CM11RS with low-torque bubble tight shut-off in most severe of operating conditions. Include a replaceable metal seat, and the CM11RS will provide maximum performance and long life with a minimum of maintenance. Available in a 10,000 psi/69860 Kpa rated model.

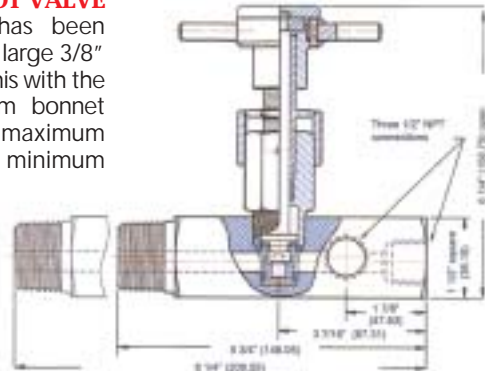
- FEATURES:**
- Extended inlet available to ensure insulation clearance - add "L" to order code
  - Pressures to 6000 psi \ 41370 Kpa
  - Replaceable seat
  - Bonnets Available: L only
  - Inlet/Outlet Connections Available: M44T, M64T, M44S, M64S



**CM40 GAUGE/ROOT VALVE**

The CM40 multi-port gauge/root valve has been designed with a replaceable metal seat and a large 3/8" roddable bore for severe service. Combine this with the exclusive Century Valve non-rotating stem bonnet assembly and the CM40 provides maximum performance with long life and minimum maintenance.

- FEATURES:**
- Extended inlet available to ensure insulation clearance - add "L" to order code
  - Pressures to 6000 psi \ 41370 Kpa
  - Developed for severe service applications
  - Bonnets Available - P only
  - Inlet/Outlet Connections Available:



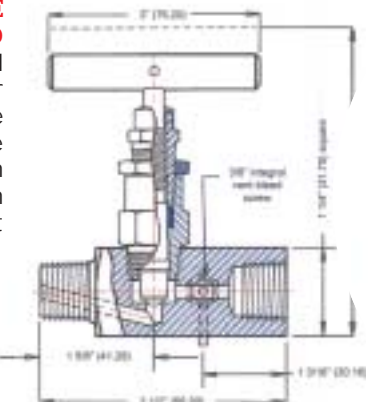
**BLOCK & BLEED**



**CM26R INSTRUMENT BLOCK VALVE WITH INTEGRAL BLEED**

The CM26R gauge valve is a ruggedly constructed direct mounting instrument valve, featuring the larger configuration "C" bonnet. The CM26R is a durable block and internal bleed valve which provides safe instrumentation depressurization. A small drain tube allows venting of process. Available with Century's exclusive non-rotating stem bonnet assembly.

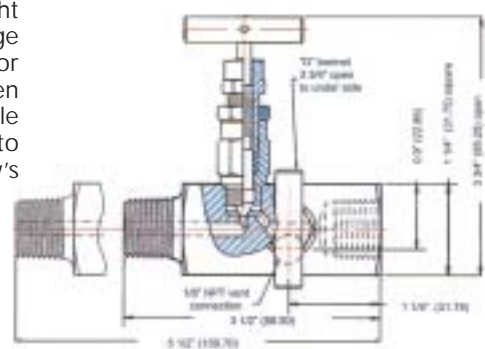
- FEATURES:**
- Pressures to 6000 psi \ 41370 Kpa
  - Bonnets Available: A, C, CN or L
  - Inlet/Outlet Connections Available: M44T, M64T



**CM29 BLOCK AND BLEED CALIBRATION VALVE**

The CM29 block and bleed calibration valve is a light compact unit which has been designed for gauge and transceiver applications. Provisions for isolation, venting and calibration have been combined in this unit. Additionally, a NPT female connection is provided for venting the process to a receiving area. Available with Century's exclusive non-rotating stem bonnet assembly.

- FEATURES:**
- Extended inlet available for insulation clearance - add "L" to order code
  - Pressures to 6000 psi \ 41370 Kpa
  - Bonnets Available: B, D, DN or M
  - Inlet/Outlet Connections Available: M44T, M64T, M44S, M64S



**CM45 MULTI-PORT BLEED VALVE**

The CM45 multi-port bleed valve is a compact unit, specifically designed for evacuation of process with operator safety. Comprised of single bleed valve, and a 1/4" NPT vent connection, the CM45 may be connected to a primary isolation valve, therefore eliminating additional piping/tees and nipples. Available with Century's exclusive non-rotating stem bonnet assembly.

- FEATURES:**
- 1/4" roddable orifice
  - 1/4" vent connection for attachment of venting or tubing
  - Pressures to 6000 psi \ 41370 KPa
  - Bonnets Available: A, C, CN, L
  - Inlet/Outlet Connections Available: M64T

